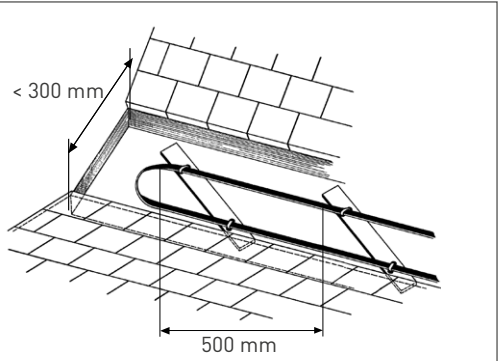
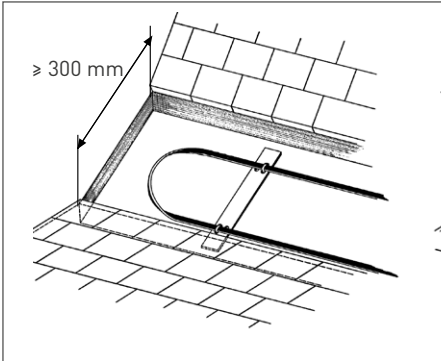
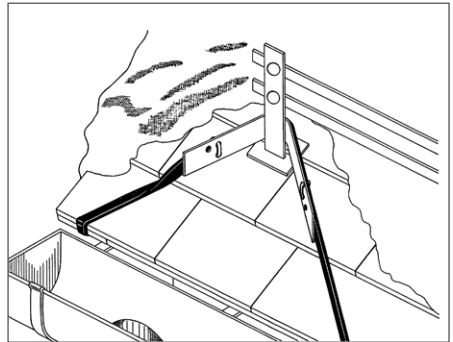
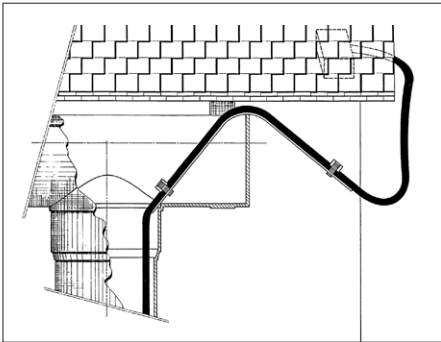
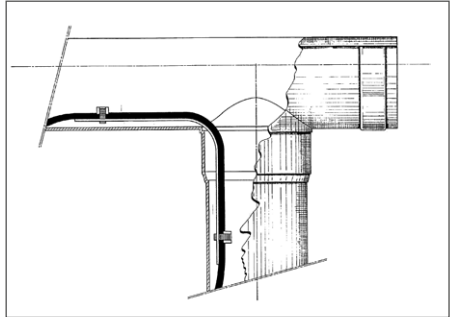
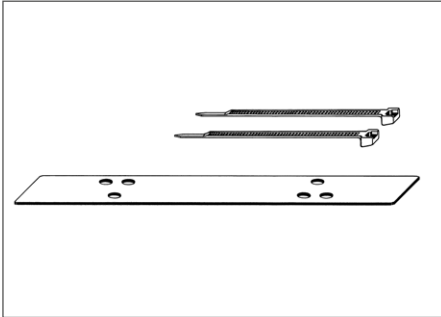


**Raychem** GM-RAKE



**BELGIË / BELGIQUE**

Tel. +32 16 21 35 02  
Fax +32 16 21 36 04  
salesbelux@pentair.com

**BULGARIA**

Tel./fax +359 56 86 68 86  
fax +359 56 86 68 86  
salessee@pentair.com

**ČESKÁ REPUBLIKA**

Tel. +420 241 009 215  
Fax +420 241 009 219  
czechinfo@pentair.com

**DANMARK**

Tel. +45 70 11 04 00  
Fax +45 70 11 04 01  
salesdk@pentair.com

**DEUTSCHLAND**

Tel. 0800 1818205  
Fax 0800 1818204  
salesde@pentair.com

**ESPAÑA**

Tel. +34 902 125 307  
Fax +34 91 640 29 90  
ptm-sales-es@pentair.com

**FRANCE**

Tél. 0800 906045  
Fax 0800 906003  
salesfr@pentair.com

**HRVATSKA**

Tel. +385 1 605 01 88  
Fax +385 1 605 01 88  
salessee@pentair.com

**ITALIA**

Tel. +39 02 577 61 51  
Fax +39 02 577 61 55 28  
salesit@pentair.com

**LIETUVA/LATVIJA/EESTI**

Tel. +370 5 2136633  
Fax +370 5 2330084  
info.baltic@pentair.com

**MAGYARORSZÁG**

Tel. +36 1 253 7617  
Fax +36 1 253 7618  
saleshu@pentair.com

**NEDERLAND**

Tel. 0800 0224978  
Fax 0800 0224993  
salesnl@pentair.com

**NORGE**

Tel. +47 66 81 79 90  
Fax +47 66 80 83 92  
salesno@pentair.com

**ÖSTERREICH**

Tel. 0800 297410  
Fax 0800 297409  
info-ptm-at@pentair.com

**POLSKA**

Tel. +48 22 331 29 50  
Fax +48 22 331 29 51  
salespl@pentair.com

**REPUBLIC OF KAZAKHSTAN**

Tel. +7 495 926 18 85  
Fax +7 495 926 18 86  
saleskz@pentair.com

**РОССИЯ**

Тел. +7 495 926 18 85  
Факс +7 495 926 18 86  
salesru@pentair.com

**SERBIA AND MONTENEGRO**

Tel. +381 230 401 770  
Fax +381 230 401 770  
salessee@pentair.com

**SCHWEIZ / SUISSE**

Tel. 0800 551308  
Fax 0800 551309  
info-ptm-ch@pentair.com

**SUOMI**

Puh. 0800 11 67 99  
Telekopio 0800 11 86 74  
salesfi@pentair.com

**SVERIGE**

Tel. +46 31 335 58 00  
Fax +46 31 335 58 99  
salesse@pentair.com

**TÜRKIYE**

Tel. +90 530 977 64 67  
Fax +32 16 21 36 04  
ptm-sales-tr@pentair.com

**UNITED KINGDOM**

Tel. 0800 969013  
Fax 0800 968624  
salesthermaluk@pentair.com



[WWW.THERMAL.PENTAIR.COM](http://WWW.THERMAL.PENTAIR.COM)

All Pentair trademarks and logos are owned by Pentair or its global affiliates. Pentair reserves the right to change specifications without prior notice.

© 2013 Pentair.